



STRATEGIES FOR NORTHERN DEVELOPMENT (SND) – KENYA

TENDER DOCUMENT TO SUPPLY, FABRICATION & INSTALLATION OF SHADENETS, SHADENET STRUCTURES AND DRIP IRRIGATION SYSTEMS TO TWO WOMEN GROUPS IN FUNAN QUMBI VILLAGE

HARRY THUKU LANE, OFF MARSABIT GENERAL HOSPITAL ROAD,
BEHIND CATHOLIC CHURCH-MARSABIT

OFF WILDLIFE ROAD, ADJACENT TO KENYA NATIONAL LIBRARY.

Tel: [+254] 741845578

E-mail: info@sndafrica.org

Website: www.sndafrica.org

REF: [SND -DFAT/ 10/2024- 03](#)

Closing Date: 4th November 2024



TENDER INVITATION

RE: SUPPLY, FABRICATION & INSTALLATION OF SHADENETS, SHADENET STRUCTURES AND DRIP IRRIGATION SYSTEMS TO TWO WOMEN GROUPS IN FUNAN QUMBI VILLAGE

The Strategies for Northern Development (SND), is a local non-governmental organization working with nomadic pastoralist communities in Northern Kenya and Southern Ethiopia. SND was registered in Kenya with the NGO Coordination Board as a fully-fledged NGO on 6th December 2007.

SND is driven by a vision to see a society where all pastoralist communities are resilient and live a dignified life and a mission to empower and transform pastoralist communities to be self-resilient in life. Key thematic areas of focus are;

- i. Peace, Conflict Resolution and Governance
- ii. Humanitarian Assistance and Emergency Response
- iii. Protection, Gender Equality and Inclusion
- iv. Climate Justice and Resilience
- v. Livelihood and Enterprise Development
- vi. Water, Sanitation, and Hygiene (WASH).
- vii. Institutional Effectiveness

SND has secured funding from DFAT through OXFAM under Intergraded Post-Drought and Flood Project in Marsabit County and intends to support the Supply, Fabrication & Installation of Shade nets, Shade net Structures and Drip Irrigation Systems to Two Women Groups in Funan Qumbi Village, Uran Ward Sololo Sub County

For this purpose, we invite bidders to submit quotations for the execution and completion of the above assignment as provided in the tender document.

NB. The quoted cost should include transport cost to respective areas

DESCRIPTION OF WORK/SERVICE

INTERGRATED POST-DROUGHT AND FLOOD PROJECT IN MARSABIT COUNTY					
SUPPLY, FABRICATION & INSTALLATION OF SHADENETS,SHADENET STRUCTURES AND DRIP IRRIGATION SYSTEMS TO TWO WOMEN GROUPS IN FUNAN QUMBI VILLAGE					
Item No	Description	U.O.M	Qty	Rates	Total Amount
	<u>Funan Qumbi Women self-help group 1</u>				

1	Tank & Associated plumbing works Supply, Delivery & Installation of 3m ³ Plastic Storage Tank, installation of all pipework, fittings and specials in accordance to the contract drawings				
1.1	3m³ plastic tank Tank should include a OD40 mm Inlet provision, OD 40mm Overflow provision & Tank Interconnection provision, walls should be corrugated, One-piece moulding with no joints, leak-proof and should be able to withstand harmful effects of sunlight preferably Kentank/Roto tank	Pcs	1		
2	Elevated tank structure				
2.1	Supply, fabricate and install a 2 mtr above ground level silver painted elevated steel tank structure comprised of access ladder, Guard rails 4 No 50mm x 50mm x 3mm SHS stanchions embedded in C20/20 Concrete, 50mm x 50mm x 3mm Primary beam, 50mm x 50mm x 3mm Secondary beam, horizontal and diagonal bracing	Set	1		
3	Shade net (shade net joints should be machine sewn and fastened to the shade net structure using locking profile & Wire)				
3.1	Supply Deliver, fabricate and install a black painted 12mtrs x 12 mtrs x 2.5 mtrs above ground level black painted shade net structure comprised of 50mm x 50mm x 2mm SHS stanchions with 0.6mtrs BGL embedded in C20/20 concrete spaced at 3 mtrs with 50mm x 2mm angle line diagonal bracings, 40mm x 40mm x 2mm bottom, middle and top horizontal bracings. include a 2.5mtrs x 0.9mtrs access door	Set	1		
3.2	Supply, deliver and install a 75% shade net on 12mtrs x 12mtrs x 2.5mtrs structure	Sqm	370		
3.3	Locking profile & W-wire	Mtrs	170		
4	Piping and Fittings				
	Supply deliver, Excavate, lay, backfill and install the following:				
4.1	Tank outlet Fittings				
	OD 32mm Tank Connector	Pcs	1		
	1" GI socket	Pcs	1		
	32mm HDPE Male adaptor	Pcs	6		
	32mm HDPE Compression Elbow 90 ⁰	Pcs	2		
	1" ball valve (Pegler or equivalent)	Pcs	1		
	1" GI long nipple	Pcs	2		
	1" GI Socket	Pcs	2		
	1" GI Union	Pcs	1		
	1" screen filter	Pcs	1		
	32mm PN 8 HDPE Pipe	Mtrs	20		
	1" GI end caps	Pcs	2		
4.2	Tank inlet Fittings				

	<i>Supply, deliver and install the following:</i>				
	63mm x 1 1/4" saddle clamp	Pcs	1		
	40mm x 1 1/4" HDPE Male adaptor	Pcs	3		
	40mm HDPE Compression elbow	Pcs	2		
	1 1/4" Ball valve (<i>Pegler of equivalent</i>)	Pcs	1		
	40mm PN 8 HDPE pipe	Mtrs	20		
4.3	Drip line & Fittings				
	<i>Supply, deliver and install the following:</i>				
	16mm safe rubbers	Pcs	35		
	16mm start connectors	Pcs	35		
	16mm PE Pipe	Pcs	35		
	16mm PE -Drip	Pcs	35		
	16mm, 1.2lph 30cm spacing dripline	Mtrs	525		
	16mm Endlines	Pcs	35		
	Drip-drip connectors	Pcs	35		
5	Farm Tools & Equipment				
	<i>Supply, deliver and Train Beneficiaries on usage of the following:</i>				
	20 Liters Knapsack Sprayer	Pcs	1		
	Spades	Pcs	4		
	Fork Hoe c/w Handle	Pcs	4		
	Rake	Pcs	4		
	Wheelbarrow	Pcs	3		
	3/4" x 50mtrs Irrigation Hose pipe	Rolls	1		
	<u>Funag Kumbi Women self help group 1 Subtotal</u>				-
					-
	<u>Funag Kumbi Women self-help group 2</u>				
1	Tank & Associated plumbing works Supply, Delivery & Installation of 3m ³ Plastic Storage Tank, installation of all pipework, fittings and specials in accordance to the contract drawings				
1.1	3m³ plastic tank Tank should include a OD40 mm Inlet provision, OD 40mm Overflow provision & Tank Interconnection provision, walls should be corrugated, One-piece moulding with no joints, leak-proof and should be able to withstand harmful effects of sunlight preferably Kentank/Roto tank	Pcs	1		
2	Elevated tank structure				
2.1	Supply, fabricate and install a 2 mtr above ground level silver painted elevated steel tank structure comprised of access ladder, Guard rails 4 No 50mm x 50mm x 3mm SHS stanchions embedded in C20/20 Concrete, 50mm x 50mm x 3mm Primary beam, 50mm x 50mm x 3mm Secondary beam, horizontal and diagonal bracing	Set	1		

3	Shade net <i>(shade net joints should be machine sewn and fastened to the shade net structure using locking profile & Wire)</i>				
3.1	Supply Deliver, fabricate and install a black painted 12mtrs x 12 mtrs x 2.5 mtrs above ground level black painted shade net structure comprised of 50mm x 50mm x 2mm SHS stanchions with 0.6mtrs BGL embedded in C20/20 concrete spaced at 3 mtrs with 50mm x 2mm angle line diagonal bracings, 40mm x 40mm x 2mm bottom, middle and top horizontal bracings. include a 2.5mtrs x 0.9mtrs access door	Set	1		
3.2	Supply, deliver and install a 75% shade net on 12mtrs x 12mtrs x 2.5mtrs structure	Sqm	370		
3.3	Locking profile & W-wire	Mtrs	170		
4	Piping and Fittings				
	<i>Supply deliver, Excavate, lay, backfill and install the following:</i>				
4.1	Tank outlet Fittings				
	OD 32mm Tank Connector	Pcs	1		
	1" GI socket	Pcs	1		
	32mm HDPE Male adaptor	Pcs	6		
	32mm HDPE Compression Elbow 90 ⁰	Pcs	2		
	1" ball valve (<i>Pegler or equivalent</i>)	Pcs	1		
	1" GI long nipple	Pcs	2		
	1" GI Socket	Pcs	2		
	1" GI Union	Pcs	1		
	1" screen filter	Pcs	1		
	32mm PN 8 HDPE Pipe	Mtrs	20		
	1" GI end caps	Pcs	2		
4.2	Tank inlet Fittings				
	<i>Supply, deliver and install the following:</i>				
	63mm x 1 1/4" saddle clamp	Pcs	1		
	40mm x 1 1/4" HDPE Male adptor	Pcs	3		
	40mm HDPE Compression elbow	Pcs	2		
	1 1/4" Ball valve (<i>Pegler of equivalent</i>)	Pcs	1		
	40mm PN 8 HDPE pipe	Mtrs	20		
4.3	Drip line & Fittings				
	<i>Supply, deliver and install the following:</i>				
	16mm safe rubbers	Pcs	35		
	16mm start connectors	Pcs	35		
	16mm PE Pipe	Pcs	35		
	16mm PE -Drip	Pcs	35		
	16mm, 1.2lph 30cm spacing dripline	Mtrs	525		
	16mm Endlines	Pcs	35		
	Drip-drip connectors	Pcs	35		

5	Farm Tools & Equipment				
	<i>Supply, deliver and Train Beneficiaries on usage of the following:</i>				
	20 Liters Knapsack Sprayer	Pcs	1		
	Spades	Pcs	4		
	Fork Hoe c/w Handle	Pcs	4		
	Rake	Pcs	4		
	Wheelbarrow	Pcs	3		
	3/4" x 50mtrs Irrigation Hose pipe	Rolls	1		
	<i>Funaq Kumbi Women self-help group 2 Subtotal</i>				
	<i>Preliminary works</i>				
1	Fencing <i>(include rates for concrete skirting at the base of the fence perimeter)</i>				
1.1	Provide perimeter fence made of 50mm x 50mm x 4mm angle lines and Heavy gauge Chain-link of wire diameter not less than 2.05mm, galvanized and 6 strands of galvanized wire as per Standard Drawings	Mtrs	90		
1.2	3 meter wide double leaf gate as per the standard drawings	Set	1		
2	Project signboard				
2.1	Fabricate, Deliver a project signboard as specified by the client. <i>(logos and artwork design will be provided by the client)</i>	Set	1		
3	PIPE WORK - PIPES				
	<u>Provide and Lay</u>				
	Provide (incl purchase, storage and transportation), lay and joint pipes in trench, include for excavation in normal material, preparation of surfaces, disposal of excavated material, dewatering, shoring sides of excavation and backfilling with suitable selected excavated material				
	Note:- Trench width and minimum cover to pipes is as per the Specification. The cost shall include for strutting, shuttering, stabilizing the earth faces of trenches and keeping the trenches free of water from whatever source by pumping or other means and cost of use of selected soil from the excavated material for compaction in bed and surround to backfilling of trenches, all as specified.				
	<u>Provide and Lay 'High Density Polyethylene' (HDPE) PN6 (Compression fittings)</u>				
	OD 63 mm in trench, depth not exceeding 1 m	Mtrs	600		
	OD 63mm male adaptors	Pcs	3		
	DN 50mm GI tee	Pcs	1		
	DN 50mm Hex nipple	Pcs	6		

	DN 50mm union	Pcs	2		
	DN 50mm Gate valve	Pcs	2		
	DN 50mm Socket	Pcs	2		
	Provide all materials and construct CONTROL VALVE chambers internal dimensions 1000mm x 1000mm. Include for supply and fixing of 600mm x 600mm lockable cover and step irons	Set	1		
	Pipe Works Subtotal				-
	Preliminary works Subtotal				-
	Balance brought to collection				
	Funaq Kumbi Women self-help group 1				-
	Funaq Kumbi Women self-help group 2				-
	Preliminary works				-
	Total				-
	16% VAT				-
	Grand Total				-

Amount in words.....

Company's Name

Contractor's Name



.....

.....

Address

Signature

GENERAL TERMS AND CONDITIONS

- 1) **Price:** The prices stated on the order shall be held firm for the period and / or quantity unless specifically stated otherwise
- 2) **Source of Instructions:** The Supplier shall not seek nor accept instructions from any source external to SND in relation to the performance of the contract.
- 3) **Assignment:** The Supplier shall not assign, transfer, sublet or subcontract the contract or any part thereof without the prior written consent of the Buyer.
- 4) **Corruption:** The Supplier shall not give, nor offer to give, anyone employed by the Buyer an inducement or gift that could be perceived by others to be a bribe. The Supplier agrees that a breach of this provision may lead to an immediate end to business relationships and termination of existing contracts.
- 5) **Confidentiality:** All data, including but not limited to, maps, drawings, photographs, estimates, plans, reports and budgets that has been compiled by or received by the Supplier under the contract shall be the property of SND and shall be treated as confidential. All such data should be delivered to the authorized officials representing the Buyer upon request.
 - a. The Supplier may not communicate at any time to any other person, government or authority external to SND, any information that has been compiled through association with SND which has not been made public except with written authorization from the Buyer. These obligations do not lapse upon termination of the contract.
- 6) **Use of Emblem or Name:** Unless otherwise agreed in writing; the Supplier shall not advertise nor make public the fact that it is supplying goods or services to the Buyer, nor shall the Supplier in any way whatsoever use the name or emblem of SND in connection with its business or otherwise.
- 7) **Observance of Law:** The Supplier shall comply with all laws, ordinances, rules and regulations bearing upon the performance of its obligations under the terms of the contract.

- 8) **Force Majeure:** The meaning of the term can be taken to mean acts of God, war (declared or not), invasion, revolution, insurrection or acts similar in nature or force.
- a. In the event of and as soon as possible after the occurrence of any cause deemed force majeure, the Supplier must inform the Buyer of the full particulars in writing. If the supplier is rendered unable either in part or in whole to perform its obligations then the Buyer shall take such action as it considers, in its sole discretion, to be appropriate or necessary in the circumstances.
 - b. if the Supplier is permanently rendered incapable in whole or part by reason of force majeure to complete its obligations and responsibilities under the contract then the Buyer will have the right to suspend or terminate the contract on the same terms and conditions laid out in section 9, Cancellation.
- 9) **Cancellation:** The Buyer reserves the right to cancel the contract should it suspend its activities or through changes to its mandate by virtue of the Executive Council of SND and/or lack of funding. In such a case the Supplier shall be reimbursed by SND for all reasonable costs incurred by the Supplier, including all materials satisfactory delivered and conforming to specification and terms of contract, prior to receipt of the termination notice.
- a. Should the supplier encounter solvency problems including, but not limited to, bankruptcy, liquidation, receivership and similar, the buyer reserves the right to terminate the contract immediately without prejudice to any other right or remedy it may have under the terms of these conditions.
- 10) **Warranty:** The Supplier shall provide the Buyer with all manufacturers' warranties. The supplier warrants that all goods supplied in relation to the contract meets specification, is defect free and is fit for the purpose of the intended use. If, during the warranty period, the goods are found to be defective or non- conforming to specification, the Supplier shall promptly rectify the defect. If the defect is permanent then at the choice of the Buyer the Supplier will either replace the item at their cost or reimburse the Buyer.
- 11) **Inspection and Test:** The Supplier must inspect the goods prior to dispatch to ensure conformance to specification and/or any other provisions of the contract. The Buyer reserves the right to inspect the goods for compliance with specifications and provisions of the contract. If, in the Buyers' opinion, the goods and/or services do not comply with the specification, the Buyer will inform the Supplier in writing. In such a case the Supplier shall take the necessary action to ensure compliance, liability for any additional cost incurred for rectifying compliance will rest with the Supplier.
- 12) **Changes:** The Buyer reserves the right to make reasonable changes at any time to the specification, drawings, plans, quantity, packing instructions, destination, or delivery instruction. If any such change affects the price of goods or performance of service the Supplier and Buyer may negotiate an equitable adjustment to the contract, provided that the Supplier claims for adjustments in writing to the Buyer within 30 days from being notified of any change.

- 13) **Export Licence:** If export licenses are required for the goods, the Supplier has the responsibility to obtain that license.
- 14) **Payment Terms:** Unless otherwise agreed, payment terms will be net 30 days from receipt of a correctly prepared invoice.

ESSENTIAL REQUIRED DOCUMENTS

The tenderer must attach the following documents to the tender to be submitted;

- i). Business registration certificate or Certificate of incorporation
- ii). CR12
- iii). Valid Business permit
- iv). PIN no & KRA Compliance certificate v). Duly filled, completed and stamped BOQ
- v). Proof of similar assignments completed
- vii) Audited Report for the last 2 years or Bank Statement for the last 6 month

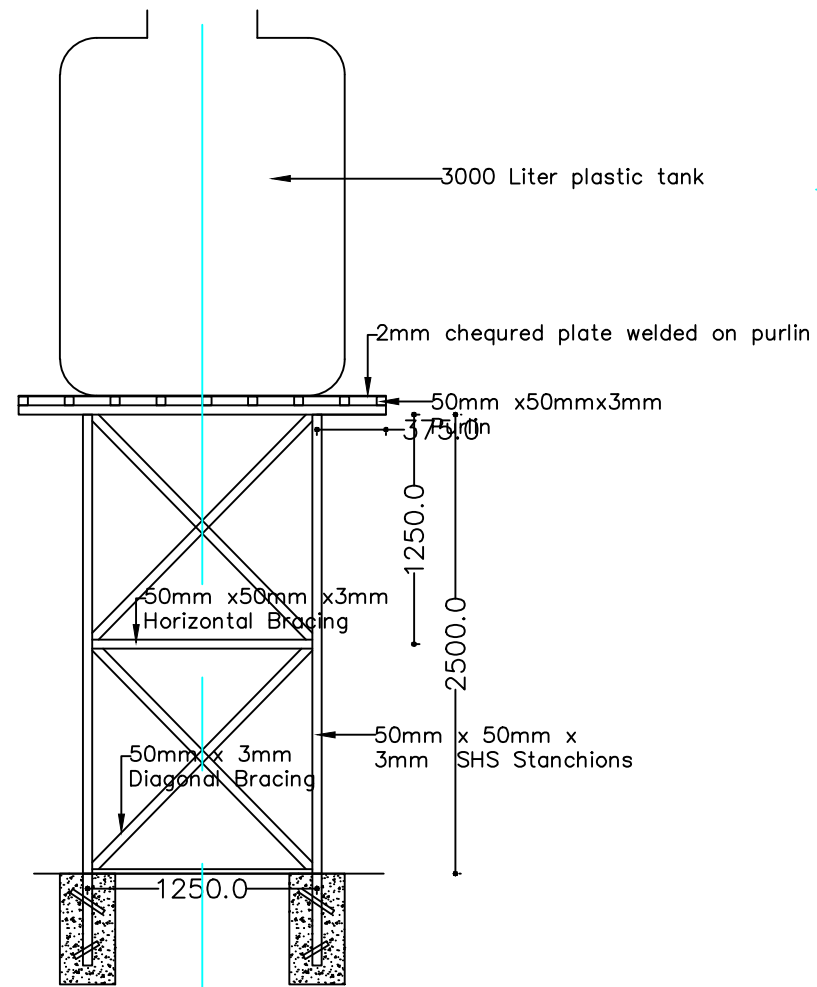
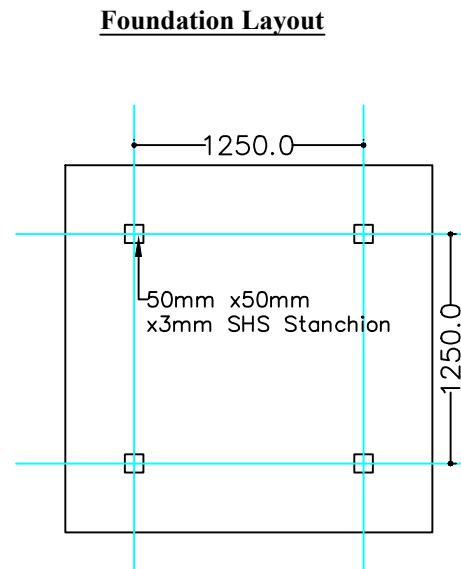
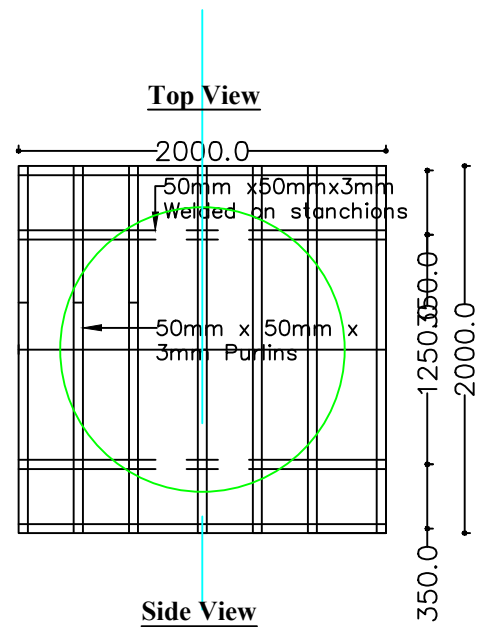
For Official Use Only

No.	Name of staff	Designation	Date	Signature
1				
2				
3				
4				
5				

NB Quotation to be filled as per the specification given and to be submitted on or before 4th November 2024 at 12.00 Noon via procurement@sndafrica.org or to be delivered to SND offices at [Isiolo, Marsabit or Moyale](#)

NB 2 : The RFQ should be referenced [SND-DFAT Farming Funan Qumbi -2024](#) as the subject of the Email or on the ENVELOPE





Notes:

- All Dimensions to be confirmed on site prior to commencement of works, any discrepancies should be reported for clarifications
- All Dimensions are in mm unless stated otherwise
- Depth of foundation to be determined on site
- All foundations should be excavated to firm grounds
- All foundations to be cast using concrete C20 ratio 1:2:4

Revision

No.	Date	Description

Consultant

Designed & Drawn by	Checked & Approved by
J.G.M	

Project Title

2.5 mtrs Elevated tank structure

Date	Drawing No.
October 2024	

Scale	Sheet No.	Paper Size

Notes:

- All Dimensions to be confirmed on site prior to commencement of works, any discrepancies should be reported for clarifications
- All Dimensions are in mm unless stated otherwise
- Depth of foundation to be determined on site
- All foundations should be excavated to firm grounds
- All foundations to be cast using concrete C20 ratio 1:2:4

Revision

No.	Date	Description

Consultant

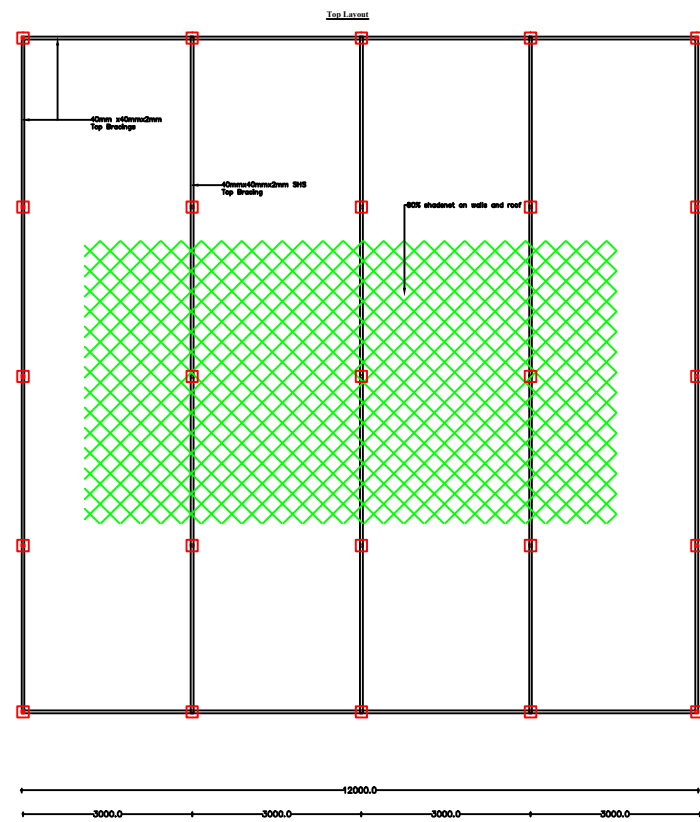
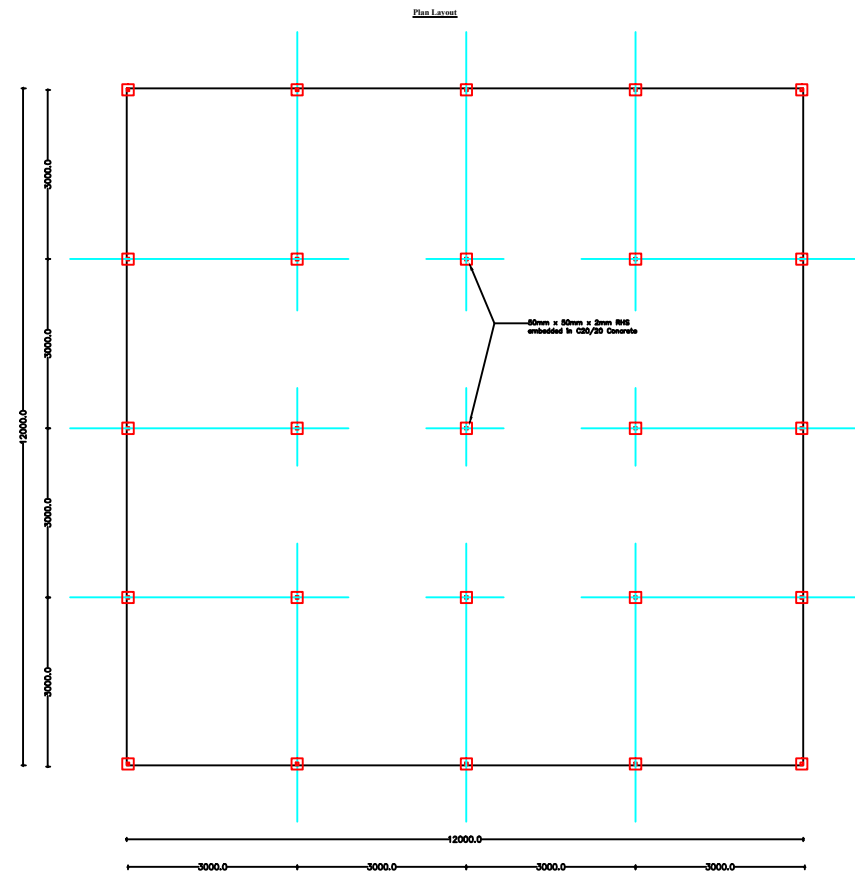
Designed & Drawn by J.G.M	Checked & Approved by
---	--------------------------------------

Project Title

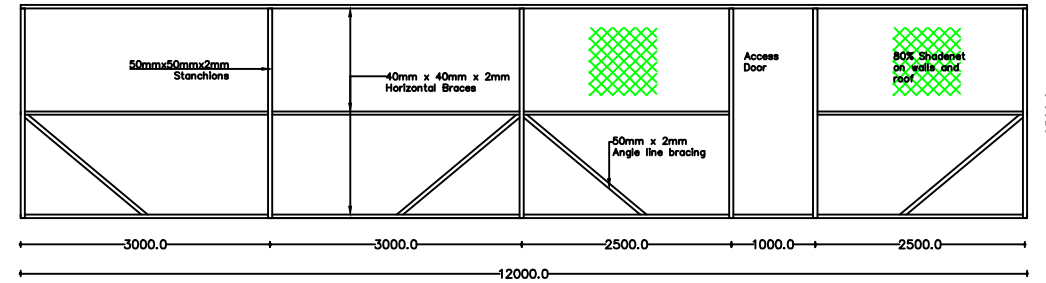
12mtrs x 12mtrs shadenet structure details

Date October 2024	Drawing No.
-----------------------------	------------------------

Scale 	Sheet No. 	Paper Size
------------------	----------------------	-----------------------



Side View



Sections

